

**Models CTU-401H, CTU-501H, CTU-601H, CTU-801H, CTU-102H**

**INPUT**

Current ..... Range ..... See table  
 Over range ..... (w/o damage) ..... 10xRange  
 Frequency ..... Range ..... dc-3KHz

**OUTPUT**

Type ..... See table  
 Loading .....  $\geq 2K\Omega$

**ACCURACY** ..... (setpoint, linearity, repeatability @ dc) .....  $\pm 0.5\%$  FS  
 Zero Offset .....  $\leq \pm 30mV$

**TEMPERATURE EFFECT**

Standard ..... 0°C to +40°C .....  $\pm 1.0\%$  FS  
 Option "T" ..... -40°C to +60°C .....  $\pm 0.04\% / ^\circ C$

**DIELECTRIC TEST**

Conductor through window to Output ..... Standard ..... 2200Vac  
 Option "S" ..... 1000Vdc  
 Instrument Power to Output ..... Standard, Option "12", Option "15" ..... 600Vdc  
 \* Option "212", Option "215" ..... None  
 \* No isolation - Instrument Power to Output

**INSTRUMENT POWER**

Standard ..... 24Vac/dc,  $\pm 15\%$   
 Option "12" ..... 12Vdc,  $\pm 10\%$   
 Option "15" ..... 15Vdc,  $\pm 10\%$   
 \* Option "212" .....  $\pm 12Vdc, \pm 10\%$   
 \* Option "215" .....  $\pm 15Vdc, \pm 10\%$   
 Current ..... (all versions) .....  $\leq 25mA$

**DIMENSIONS** ..... Sensor size Z

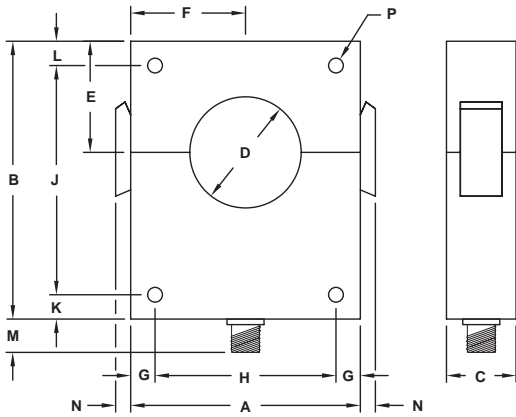
INPUT CURRENT	STANDARD MODELS	
	$\pm 5V$ Output	$\pm 10V$ Output
0 - $\pm 400A$	CTU-401HX5	CTU-401HD
0 - $\pm 500A$	CTU-501HX5	CTU-501HD
0 - $\pm 600A$	CTU-601HX5	CTU-601HD
0 - $\pm 800A$	CTU-801HX5	CTU-801HD
0 - $\pm 1000A$	CTU-102HX5	CTU-102HD

**OPTIONS**  
 (add letter suffix to model number)  
 R = Ruggedized (potted)  
 S = Split-core (includes R)  
 T = Extended temperature range  
 Refer also to Instrument Power Section for additional options.

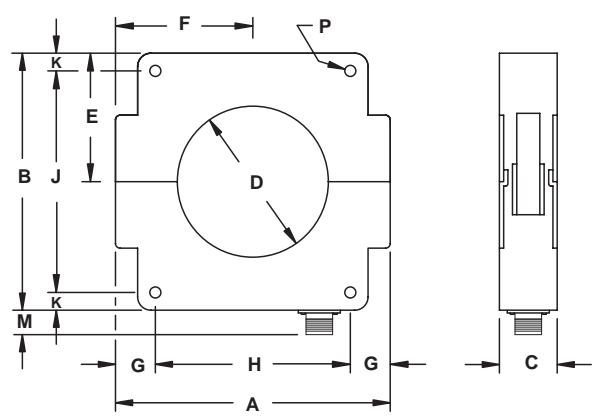
**ORDERING INFORMATION**  
 Example: Input = 0 -  $\pm 1000A$ , Output = 0 -  $\pm 10V$   
 Temperature Range = -40°C to +60°C  
 Split-core, 15Vdc Instrument Power  
**CTU-102HDTS15**

# OSI CASE DIMENSIONS & CONNECTIONS MODEL CTU-xxxHx

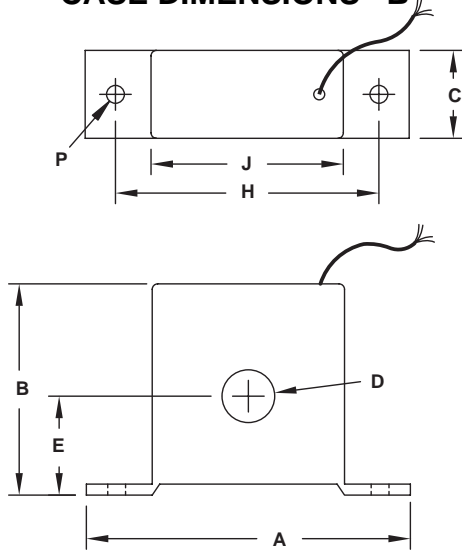
## CASE DIMENSIONS D & E



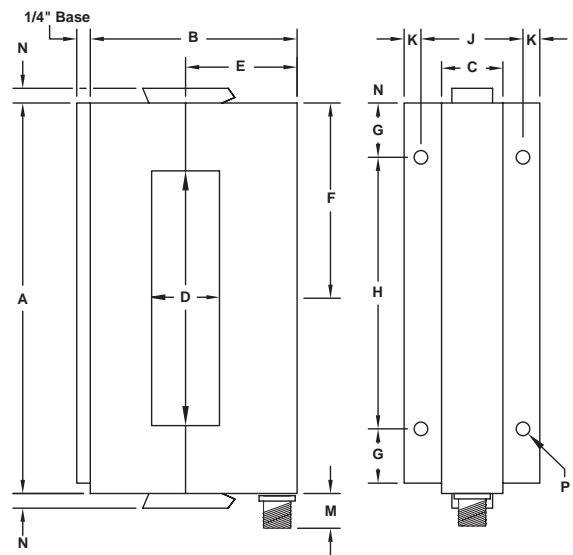
## CASE DIMENSIONS F & EE



## CASE DIMENSIONS B



## CASE DIMENSIONS Z



Use Sensor Size D Cable Assembly for connections (22 AWG)

All Dimensions in Inches

SENS. SIZE	SENSOR DIMENSIONS														WT. LBS.
	A	B	C	D	E	F	G	H	J	K	L	M	N	P	
B	23/16	29/16	1	5/8	15/32	NA	NA	2 3/4	2 3/16	NA	NA	NA	NA	3/16	.2
D	3 1/8	4	3/4	1 1/8	1 1/2	19/16	1/2	2 1/8	NA	1/2	NA	3/8	1/4	5/16	.75
E	4 1/8	5	1 1/4	2	2	2 1/16	7/16	3 1/4	3 1/4	7/16	7/16	5/8	5/16	17/64	2
F	5 3/8	5 1/4	1 5/8	2 1/4	2 5/8	2 11/16	1 1/16	3 1/4	4 1/8	9/16	NA	5/8	NA	1/4	2.8
EE	6 1/4	7 1/4	1 5/8	4 1/4	3 5/8	3 7/8	1/2	5 1/2	6 1/4	1/2	NA	5/8	NA	5/16	4.5
Z	7 3/16	3 3/4	1 1/8	1 1/4 X 4 1/2	2 1/16	3 1/2	1	5	1 7/8	5/16	NA	3/8	1/4	3/16	2.8

CABLE ASSEMBLY							
SENSOR SIZE D,Z				SENSOR SIZE E,EE,F			
Plastic Connector				Metal Connector			
8ft. Cable, 18AWG, Rubber jacket				8ft. Cable, 18AWG, Rubber jacket			
Pins	Leads			Pins	Leads		
1	WHITE	-	OUTPUT *	A	WHITE	-	OUTPUT *
2	GREEN	+		B	GREEN	+	
6	BLACK	COM		C	BLACK	COM	
8	RED	+24V	INPUT	D	RED	+24V	INPUT

\*\*"Red Dot" side of transducer must face the most positive circuit point for output polarity as shown.

CTA800-P may be used as a power supply.